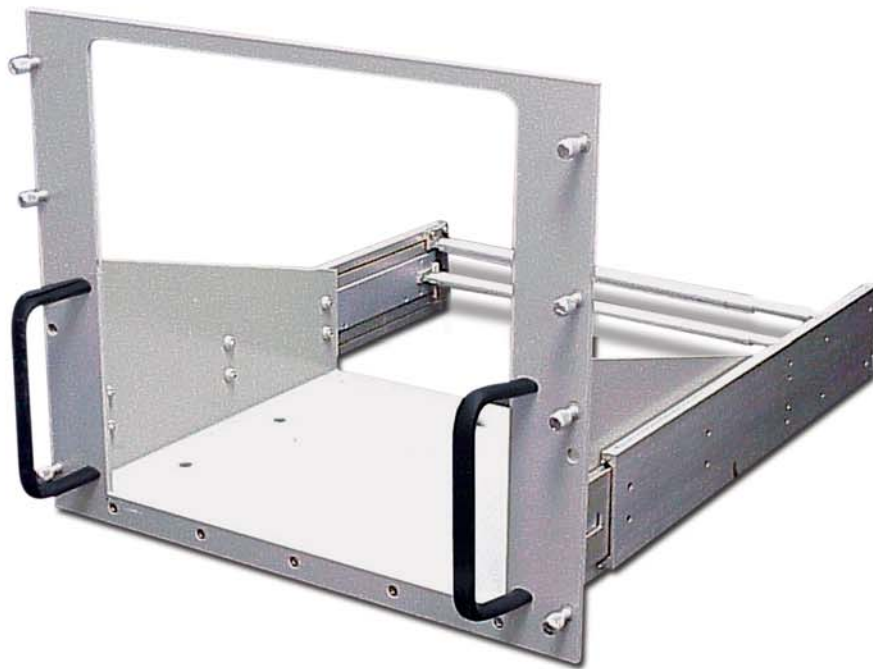


Model RA-19

Rugged Rack Assembly



- Solid Aluminum Alloy Construction
- 19" Rack Assembly
- Expandable Rack Arms
- Universal Mounting Points
- Ideal for Printers, Monitors and Computers
- Shipboard – Ground Mobile – Airborne

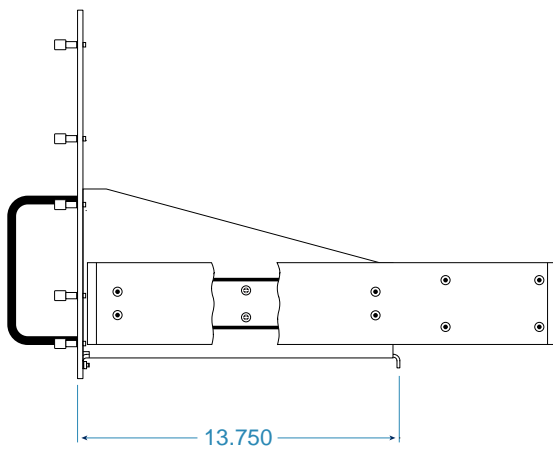
Fully Mission Capable™

Model RA-19 Rugged Rack Assembly

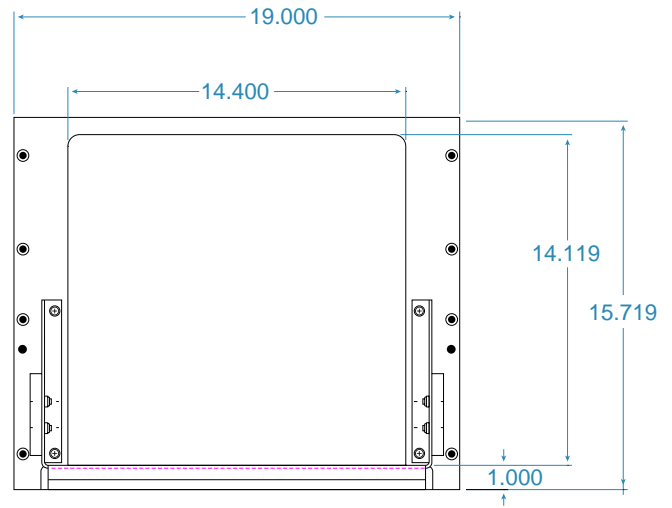
The Model RA-19 Rugged Rack Assembly is an aluminum alloy rack assembly that fits in a 19 inch rack. The solid construction, universal mounting points and extendable rack arms makes this rack assembly ideal for a number of units, such as printers, monitors and computers.

Schematic Drawings

SIDE VIEW



FRONT VIEW



Physical Characteristics

- Size 15.72 in. H x 19 in. W x 13.750 in. D
- Weight (without paper) 14.5 lbs.
- Rack Arms Extendable to 39.5 in.
- Construction Material 6061-T651 Aluminum Alloy