



DataMetrics™

MODEL 8000 RUGGED TACTICAL PRINTER



Key Features

- All Aluminum Housing
- Compact Size
- Up to 600 Lines Per Minute
- Multiple Interface Options Available
- Thermal Printing Technology
- Designed to Meet MIL-STD-810D
- Rugged Design for Harsh Environments
- Airborne – Shipboard – Ground Mobile

Model 8000 Rugged Tactical Printer

The 8000 Tactical Printer features a rugged design, compact size, lightweight, outputs full page printouts at 80 to 136 characters per column and up to 600 lines per minute. This all aluminum rugged printer is designed to operate in harsh environments in accordance with the following specifications.

DataMetrics™ Corporation is the industry leader in design and manufacturing of ruggedized printers. Our primary focus is the design, testing, development, and manufacturing of electronic equipment to meet the specifications of various military and industrial applications.



Fully Mission Capable™

Environmental Characteristics

- Temperature - Operating -10°C to 63°C (Industrial grade components)
- Temperature - Storage. -70°C to 85°C
- 35°C to 70°C (military grade components)
- Humidity. 5% to 95%, Non-condensing
- Explosive Atmosphere. MIL-STD-810D, Method 511, Procedure I
- Fungus. MIL-STD-810D, Method 508, Procedure I
- Vibration - Random 2 G, 5 - 2000 Hz, per
- MIL-STD-810D, Method 507, Procedure III
- Shock. 20 G, 11ms, per
- MIL-STD-810D, Method 500, Procedure I
- Altitude - Operating -100 to 15,000 ft.
- Altitude - Non Operating -100 to 40,000 ft.
- Sand and Dust. MIL-STD-810D, Method 510, Procedure I

Performance Characteristics

- Character Print Rate 600 lines per minute
- Characters Per Line. 80 or 136 characters
- Character Size. 0.0799 in W. x 0.1199 in. H.
- Character Code 64 Symbol ASCII
- Resolution 300 dpi horizontal and vertical
- Graphics Plot Speed 1.0 in. per second
- Lines Per Inch 5 minimum
- Print Driver. Windows or ASCII text

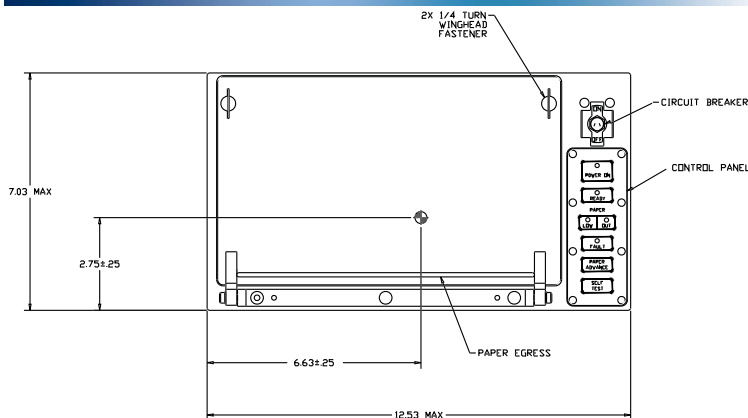
Electrical Characteristics

- Power – AC version 115 Vac, 47 - 440 Hz
- Power – DC version. 28 Vdc
- Power Consumption - AC . . . <95W average
- Power Consumption - DC . . . <100W average
- Interface – Standard Serial – RS-232C/RS-422
- Parallel – 8-bit Centronics
- Interface – Optional. Ethernet

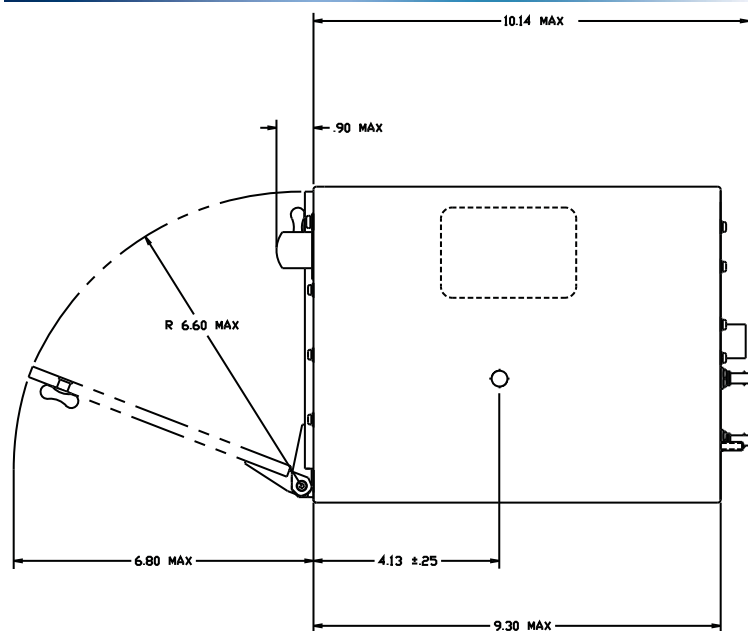
Physical Characteristics

- Size 7.12" H x 12.53" W x 9.03" D
- Weight 18 lbs.
- Configuration Rack Mount, 19 in.

Front View



Side View



Ordering Information

Part Number	Description
115678-1XX-P005	Thermal Printer, Semi Gloss Gray Smooth Texture Paint
115678-1XX-P037	Thermal Printer, Semi Gloss Gray Medium Texture Paint

"X" indicates ordering options for special features.
Contact DataMetrics for other options and custom configurations.