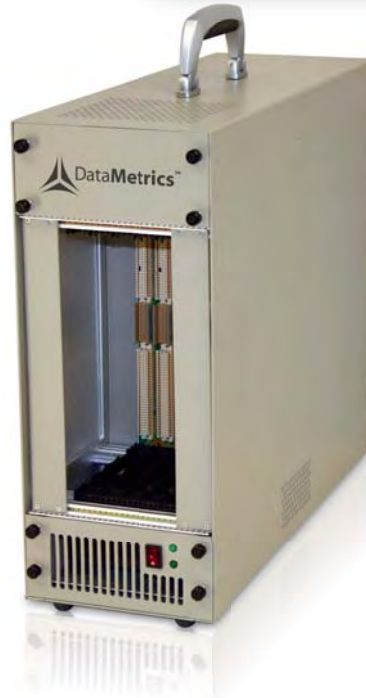




DataMetrics™

MODEL 7004 4U 5-SLOT COTS MINI-TOWER CHASSIS

*New Model



Key Features

- Support up to 7-slot Eurocard Backplane
- Available with CompactPCI, VME64x, VITA-xx or Custom Backplane
- Push-Pull Fan System Provides Aggressive Cooling Characteristics
- Upper and Lower Fan Trays are LRU Design
- High-Flow DC Fans Used
- Full Access to All Slots in 6U x 160mm Front Subrack
- Full Access to All Slots in 6U x 80mm Rear Transition Module Subrack
- Front Mounted, Illuminated Power Switch
- Rear-mounted Circuit Breaker
- 600 Watt Power Supply Standard
- Optional "Envirostat-2" Chassis Environmental Monitor/Controller
- Consult Factory for Custom Configurations

Model 7004 4U COTS Mini-Tower

Model 7004, a 4U, 7-Slot, COTS Mini-Tower chassis, offers unique features that distinguish itself from the competition. Twin line replaceable fan tray units (LRU) come standard in Model 7004. One LRU is mounted below the front subrack (pushes air upward) and the other LRU is mounted above the front subrack (pulls air through the plug-in boards). Each fan tray is equipped with a fan that pumps 150CFM of air against backpressure. Utilizing captive screws, each LRU fan tray can be easily replaced in less than 2 minutes!

In that Model 7004 is IEEE-1101.1 compliant; it accommodates backplanes of various architectures, such as VME, VME64x, CompactPCI™, VITA-31, VITA-41, VITA-46, etc. DataMetrics also custom-designs backplanes and invites inquiries of this type.

The newly developed Envirostat-2 System Health Monitor comes equipped with an Ethernet port for remote monitoring/power down and control of all chassis parameters, such as fan speed, temperature, and system voltages to ensure proper operating conditions. The Envirostat-2, along with 7ea board and RTM slots and exceptional convection cooling, makes it a perfect for system and software development.

Fully Mission Capable™



Environmental Characteristics

Temperature - Operating	-10°C to +55°C
Temperature - Storage.	-20°C to +85°C
Shock - Operating	1G, 11ms ½ sine
Shock - Non-operating.	2G, 11ms ½ sine
Vibration - Random	0.5G 10-2000 Hz
Vibration - Sinusoidal.	0.5G 10-500 Hz
Humidity - Operating	<95% non-condensing
Humidity - Non-Operating . . .	<95% non-condensing
Altitude - Operating	10,000 ft
Altitude - Non-Operating . . .	40,000 ft
EMC/EMI	MIL-STD-461E CE102, CS101, CS114, CS116, RE102, RS103 (verify with 1101.10)

Electrical Characteristics

Power Input	85 - 264 Vac, 47 - 440 Hz, auto ranging
Power Input Connector	IEC 60320 (C14 Plug Type)
Power Supply	600W (standard) 400W - 1500W (optional)
Output Current.	+5 V @ 60A +3.3 V @ 35A +/- 12V @ 17A

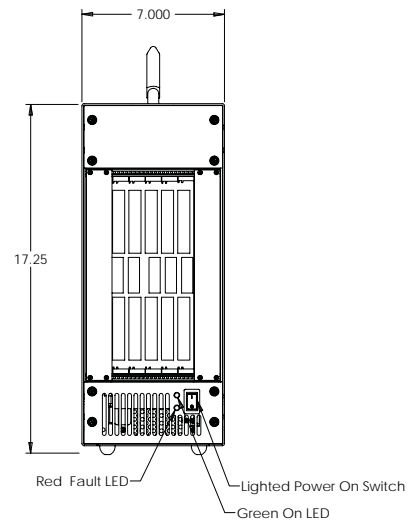
Performance Characteristics

Backplane	5 Slot VME 64X (Standard) (Up to a 7-slot Eurocard backplane optional)
MTBF	>50,000 hrs
Cooling	Upper and Lower Front removable fan trays with 1 high-CFM fan each DC cooling fans (130x38mm, 150CFM, 12 Vdc)
Optional Accessories	Environmental monitor/controller *Refer to <i>System Monitor</i> data sheet for info.

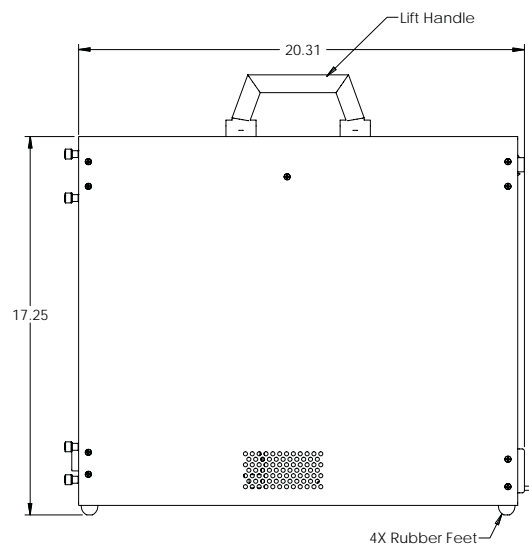
Physical Characteristics

Size	(4U) 7" W x 17.25" H x 20.31" D
Weight	29 lbs (without Envirostat System Monitor) 30 lbs (with Envirostat System Monitor)
Mounting - Standard	Tabletop
Finish	Clear chem film (alodine)

Front View - Dimensions



Side View - Dimensions



Ordering Information

Part Number	Description
7004-0520-100-P005	COTS Chassis, 4U, 5 Slot, VME64x, Semi-Gloss Gray Smooth Finish Paint.
7004-0520-101-P005	COTS Chassis, 4U, 5 Slot, VME64x, Semi-Gloss Gray Smooth Finish Paint. With Envirostat 2.0.
7004-0531-100-P005	COTS Chassis, 4U, 5 Slot, VXS, Semi-Gloss Gray Smooth Finish Paint.
7004-0531-101-P005	COTS Chassis, 4U, 5 Slot, VXS, Semi-Gloss Gray Smooth Finish Paint. With Envirostat 2.0.
Contact DataMetrics for other options and custom configurations.	