



DataMetrics™

TUFFVIEW™

5500

**19-INCH FLAT PANEL
DISPLAY**

*Previously Model #5500



Key Features

- 19-inch TFT LCD Display
- Sealed Unit
- Rack Mount - Wall Mount - Tabletop

Model 5500 19-Inch Flat Panel Display

DataMetrics™ rugged displays combine environmental and mechanical engineering technology with computer technology to produce monitors for military and industrial applications. The Model 5500 Flat Panel Display is designed to meet and exceed the most stringent military specifications. The performance of these ruggedized monitors leave their commercial counterparts in the dust. Simply because they can perform every function that their commercial counterparts can perform, but DataMetrics™ rugged displays are able to withstand and operate in the harshest environments.



*Simulated Image

Fully Mission Capable™

Environmental Characteristics

Temperature	Operating: -20°C to 55°C Storage: -40°C to 70°C
Humidity	10% to 100%, Condensing
Sand, Dust & Rain	Sealed NEMA 4
Orientation	Any
Vibration	.5g Sinusoidal and Random
Shock	Operating: 15G Non-operating: 20G
Altitude	Operating: 15,000 ft. Non-operating: 50,000 ft.
EMI/EMC	FCC part 15, Class B

Performance Characteristics

LCD Display	Active Matrix Thin-Film-Transistor (TFT)
Effective Display Size	19 in. (46cm) Diagonal
Luminance	200 cd/m ² (typical: center/all white)
Minimum Viewing Angle	140 degrees (70 degrees up, down, left, right)
Pixel Number	1280 x 1024 (SXGA)
Backlight	Cathode Fluorescent Light (CFL) 4 Tubes Backlight
Contrast Ratio	250:1 (typical)
Display Color	16.8 million (24 bit)
Video Input (Interface)	Analog Red, Green, Blue (75 ohms)
Interface	5 BNC – Separate HV, Composite and Sync on Green

Electrical Characteristics

Power Input – Standard	95 - 240 Vac, 47 - 440 Hz
Power Input – Optional	20 - 32 Vdc available
Power Consumption	.8W Power Save, 77W Nominal, 250W Max with Heater

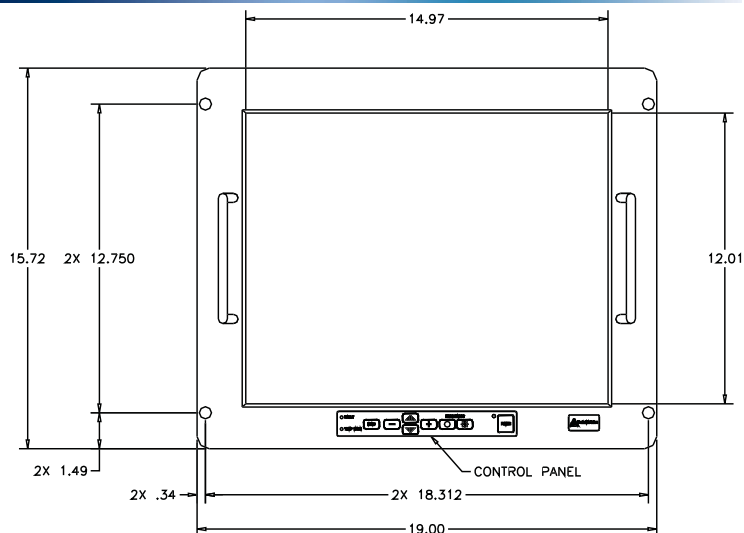
Physical Characteristics

Size	19.0 in. W x 15.7 in. H x 4.1 in. D
Weight	.28 lbs.
Rack Mount	.RS-310 RETMA

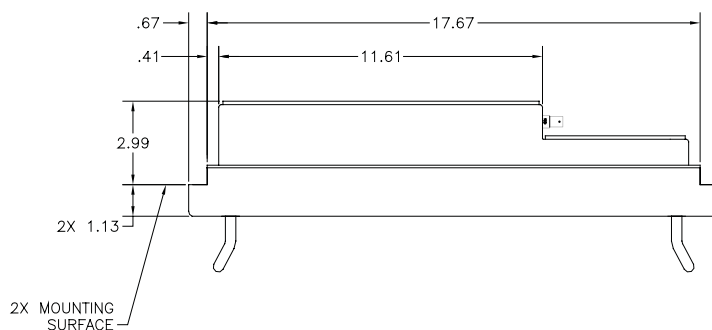
Ordering Information

Contact DataMetrics™ for other options and specifications.

Front View



Top View



Side View

