



DataMetrics™

# MODEL 3315 RUGGED COLOR LASER PRINTER

\*New Model



## Key Features

- 600 X 600 dpi Photo Quality Color Printing
- Automatic Two-Sided Printing
- Optional Dual Voltage Power Inputs
- Up to 12 ppm Black, 10 ppm Color
- 64 MB Memory; Expandable to 320 MB
- 300 MHz Processor
- Postscript 3 and TrueType™ Font Emulation
- Ideal for Rugged Industrial Applications
- Rack Mount and Tabletop Mounting

## Model 3315 Rugged Color Laser Printer

The Model 3315 is a ruggedized color printer utilizing a new generation commercial off-the-shelf engine. The printer is a color laser printer using HP Image REt technology for superior printing characteristics. It contains a 300 MHz processor and 64 MB memory which is expandable to 320 MB. This printer will save time and resources by excepting multiple paper sizes, printing up to 12 ppm, by utilizing automatic two-sided printing, and with Instant-On technology, will print the first page in as little as 20 seconds. Printed images are high-contrast and long lasting. Its inherent rugged design and minimal moving parts make it an ideal product for most Industrial applications.

DataMetrics™ Corporation is the industry leader in design and manufacturing of ruggedized printers. Our primary focus is the design, testing, development, and manufacturing of electronic equipment to meet the specifications of various military and industrial applications.



**Fully Mission Capable™**

## Environmental Characteristics

Temperature - Operating . . . . .	5°C to 40°C
Temperature - Storage . . . . .	-20°C to 50°C
Humidity . . . . .	10 - 90%, Non-condensing
Vibration . . . . .	.2g Sinusoidal and Random
Shock - Operating . . . . .	10G, 11ms
Shock - Non-Operating . . . . .	20G, 9ms
Altitude - Operating . . . . .	15,000 ft. (4,572 meters)
Altitude - Non-operating . . . . .	50,000 ft. (15,240 meters)
EMC . . . . .	FCC Title 47 CFR, Part 15 Class B
Safety . . . . .	IEC 60950-1 compliant UL/cUL Listed

## Performance Characteristics

Resolution . . . . .	600 X 600 dpi color 1200 X 1200 dpi black HP ImageREt 2400 Technology
Print Speed . . . . .	12 ppm black 10 ppm color
Memory . . . . .	64MB; expandable to 320 MB
Processor . . . . .	300 MHz
Languages and Fonts . . . . .	HP PCL 6 and HP postscript level 3 emulation 80 scalable TrueType™ fonts
Paper Size . . . . .	3" x 5" to 8.5" x 14" Letter, legal, executive, envelopes
Two-sided printing . . . . .	Letter and Legal
Paper Input . . . . .	Single sheet priority feed slot 250-sheet covered input tray Automatic two-sided printing

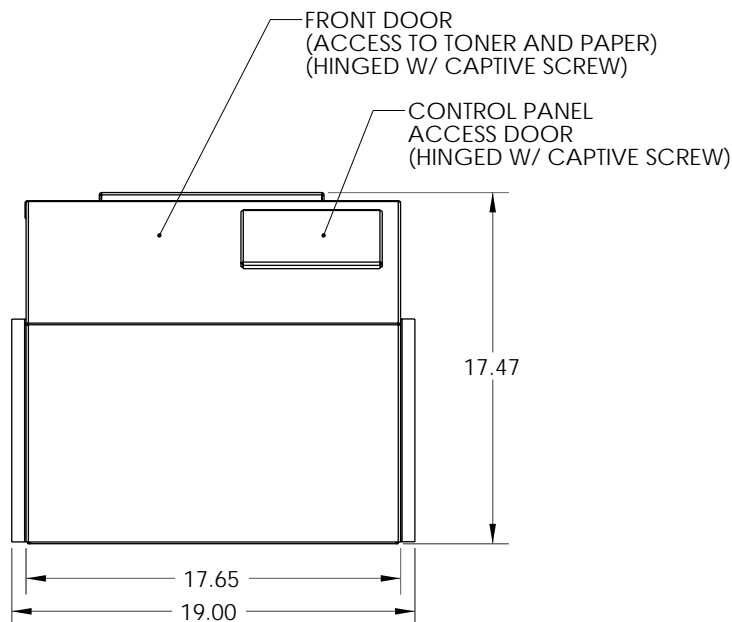
## Electrical Characteristics

Input Power . . . . .	110 - 127 Vac, 60 Hz
Input Power - Optional . . . . .	220 - 240 Vac, 50 Hz Dual Voltage Available
Power Consumption . . . . .	Standby 18W Printing 255W
Data Interface . . . . .	10/100 Base-TX Ethernet; USB 2.0

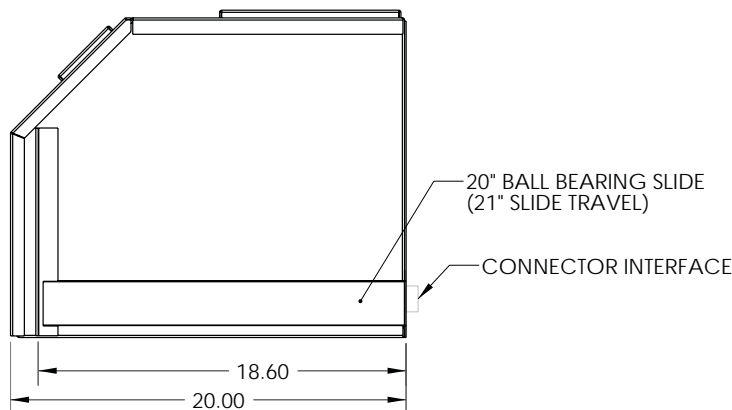
## Physical Characteristics

Size . . . . .	17.47" H x 17.65" W x 20" D (44.4cm. H x 48cm. W x 51cm. D)
Weight . . . . .	54 lbs. (24.5 Kg.) 61 lbs. (27.7 Kg.) Dual Voltage
Rack Mount . . . . .	Rack Mount or optional Tabletop Mount
Printer Engine . . . . .	HP Color LaserJet 2605

## Front View



## Side View



## Ordering Information

Part Number	Description
3315-0100-P005	Color Laser Printer, Rack Mount, 110 - 127 Vac, Semi Gloss Gray Smooth Texture Paint
3315-0110-P005	Color Laser Printer, Rack Mount, 220 - 240 Vac, Semi Gloss Gray Smooth Texture Paint
3315-0120-P005	Color Laser Printer, Rack Mount, Dual Voltage, Semi Gloss Gray Smooth Texture Paint
Standard Configuration 3315-0100-P005 Contact DataMetrics for other options and custom configurations.	