



DataMetrics™

MODEL 3310 RUGGED COLOR LASER PRINTER

*New Model



Key Features

- 600 X 600 dpi Photo Quality Color Printing
- Optional Dual Voltage Power Inputs
- 8 ppm Black or Color
- 16 MB Memory
- 264 MHz Processor
- Ideal for Rugged Industrial Applications
- Rack Mount and Tabletop Mounting

Model 3310 Rugged Color Laser Printer

The Model 3310 is a ruggedized color printer utilizing a new generation commercial off-the-shelf engine. The printer is a color laser printer using HP Image REt technology for superior printing characteristics. It contains a 264 MHz processor and 16 MB memory which makes the Model 3310 suitable for small work teams. This printer will save time and resources by accepting multiple paper sizes, printing up to 8 ppm, and with Instant-On technology, will print the first page in as little as 20 seconds. Printed images are high-contrast and long lasting. Its inherent rugged design and minimal moving parts make it an ideal product for most Industrial applications.

DataMetrics™ Corporation is the industry leader in design and manufacturing of ruggedized printers. Our primary focus is the design, testing, development, and manufacturing of electronic equipment to meet the specifications of various military and industrial applications.



Fully Mission Capable™

Environmental Characteristics

Temperature - Operating . . .	5°C to 40°C
Temperature - Storage	-20°C to 50°C
Humidity	10 - 90%, Non-condensing
Vibration	2g Sinusoidal and Random
Shock - Operating	10G, 11ms
Shock - Non-Operating	20G, 9ms
Altitude - Operating	15,000 ft. (4,572 meters)
Altitude - Non-operating	50,000 ft. (15,240 meters)
EMC	FCC Title 47 CFR, Part 15 Class B
Safety	IEC 60950 compliant UL Listed

Performance Characteristics

Resolution	600 X 600 dpi with HP ImageREt 2400
Print Speed	8ppm, color and black
Memory	16MB
Processor	264 MHz
Paper Size	3" x 5" to 8.5" x 14"
	Letter, legal, executive, envelopes
Paper Input	Single sheet priority feed slot 250-sheet covered input tray

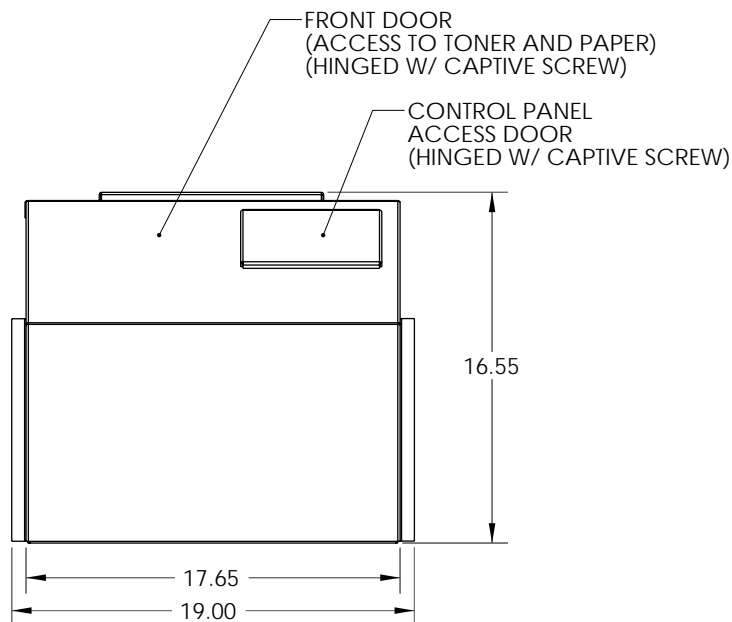
Electrical Characteristics

Input Power	110 - 127 Vac, 60 Hz
Input Power - Optional	220 - 240 Vac, 50 Hz
	Dual Voltage Available
Power Consumption	Standby 13W
	Printing 190W
Data Interface	10/100 BaseT Ethernet; USB 2.0

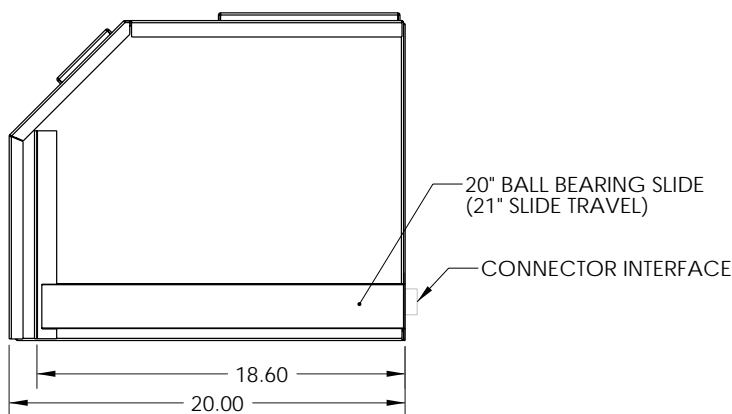
Physical Characteristics

Size	16.55" H x 17.65" W x 20" D (42cm. H x 48cm. W x 51cm. D)
Weight	50 lbs. (22.7 Kg.) 57 lbs. (25.8 Kg.) Dual Voltage
Rack Mount	Rack Mount or optional Tabletop Mount
Printer Engine	HP Color LaserJet 2600n

Front View



Side View



Ordering Information

Part Number	Description
3310-0100-P005	Color Laser Printer, Rack Mount, 110 - 127 Vac, Semi Gloss Gray Smooth Texture Paint
3310-0110-P005	Color Laser Printer, Rack Mount, 220 - 240 Vac, Semi Gloss Gray Smooth Texture Paint
3310-0120-P005	Color Laser Printer, Rack Mount, Dual Voltage, Semi Gloss Gray Smooth Texture Paint

Standard Configuration 3310-0100-P005.
Contact DataMetrics for other options and custom configurations.